

野狼原地旋轉鏟裝機

GEHL®

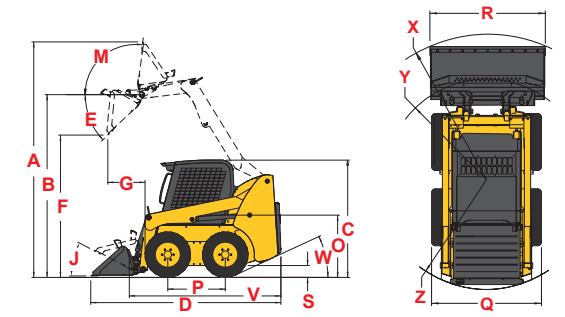
1640E | 3640E | R135 | R150 | R165 | R190 | R220 | R260 | V270 GEN:2 | V330 GEN:2 | V400



		小型-徑線向舉升		中型-徑線向舉升			大型-徑線向舉升			大型-垂直舉升			
		1640E	3640E	R135	R150	R165	R190	R220	R260	V270 GEN:2	V330 GEN:2	V400	
尺寸	A. 全舉時最大操作高度 (mm)	124.7" (3167)	139.6" (3546)	143.9" (3655)	152.6" (3876)	152.6" (3876)	158" (4013)	161" (4089)	161" (4089)	167.4" (4252)	172" (4369)	186.8" (4745)	
	B. 全舉時鏟斗銷高度 (mm)	96" (2438)	108.1" (2746)	109.6" (2784)	119" (3023)	119" (3023)	120.5" (3061)	123" (3124)	123" (3124)	130.3" (3310)	131.2" (3332)	143.6" (3647)	
	C. ROPS駕駛室全高 (mm)	74.7" (1897)	70.3" (1786)	75.1" (1908)	76.7" (1948)	76.7" (1948)	80" (2032)	81" (2057)	81" (2057)	81" (2057)	82" (2083)	82" (2083)	
	D. 全長-含鏟斗 (mm)	101.4" (2576) w/36" Bucket	114" (2896) w/55" Bucket	120.3" (3056) w/54" Bucket	122.1" (3101) w/61.5" Bucket	122.1" (3101) w/61.5" Bucket	127" (3226) w/66" Bucket	136.5" (3467) w/70" Bucket	143" (3632) w/70" Bucket	148" (3759) w/70" Bucket	152.5" (3874) w/74" Bucket	158.5" (4026) w/84" Bucket	
	E. 全舉時傾卸角度 (度)	46°	42°	40°	38°	38°	42°	40°	40°	42°	42°	31°	
	F. 傾卸高度 (mm)	72.3" (1836)	84.5" (2146)	82.6" (2098)	93.7" (2380)	93.7" (2380)	91" (2311)	94" (2388)	94" (2388)	100" (2540)	98.5" (2502)	114.8" (2916)	
	G. 全舉時傾卸距離 (mm)	14.8" (376)	22.8" (579)	22.7" (577)	22.8" (579)	22.8" (579)	22.5" (572)	27" (686)	27" (686)	32" (813)	32" (813)	39.5" (1003)	
	J. 鏟斗地面後傾角 (度)	23°	29°	29°	28°	28°	26°	28°	28°	29°	29°	31°	
	M. 全舉時鏟斗後仰角 (度)	100°	99°	82°	99°	99°	96°	95°	95°	94°	94°	100°	
	O. 座椅至地面高度 (mm)	34.6" (879)	32.6" (828)	33.3" (846)	35.6" (904)	35.6" (904)	39" (991)	40" (1016)	40" (1016)	40" (1016)	41" (1041)	41.2" (1046)	
	P. 軸距 (mm)	30.5" (775)	34.5" (876)	37.6" (955)	38.9" (988)	38.9" (988)	42" (1067)	43" (1092)	49.5" (1257)	49.5" (1257)	49.5" (1257)	54.6" (1387)	
	Q. 全寬-不含鏟斗 (mm)	35.8" (909)	48.4" (1229)	52.6" (1336)	63.2" (1605)	63.2" (1605)	64.5" (1638)	65.5" (1664)	65.5" (1664)	69.5" (1765)	72" (1829)	79.5" (2019)	
	R. 鏟斗寬度 (mm)	36" (914)	55" (1404)	54" (1372)	61.5" (1562)	61.5" (1562)	66" (1676)	70" (1778)	70" (1778)	70" (1778)	74" (1880)	84" (2134)	
	S. 底盤離地高度 (mm)	5.9" (150)	6.0" (152)	7.9" (201)	6.3" (160)	6.3" (160)	6.5" (165)	8" (203)	8" (203)	8" (203)	9" (229)	7.3" (185)	
	V. 全長-不含鏟斗 (mm)	75" (1905)	88.9" (2258)	92.2" (2342)	93.9" (2385)	93.9" (2385)	94" (2388)	105" (2667)	111.5" (2832)	116.5" (2959)	119" (3023)	121.5" (3086)	
	W. 尾端離開角	30°	26°	25°	21°	21°	25°	25°	25°	25°	25°	19°	
	X. 前迴旋半徑-含鏟斗 (mm)	58" (1473)	69.4" (1763)	72.5" (1842)	73.6" (1869)	73.6" (1869)	79" (2007)	87.5" (2223)	90" (2286)	90" (2286)	94.5" (2400)	88.5" (2248)	
	Y. 前迴旋半徑-不含鏟斗 (mm)	32.8" (833)	44.1" (1120)	44.1" (1130)	45.4" (1153)	45.4" (1153)	44.5" (1130)	52" (1321)	56" (1422)	56" (1422)	56" (1422)	50.8" (1290)	
	Z. 尾迴旋 (mm)	43.2" (1097)	54.1" (1374)	54" (1372)	57.7" (1466)	57.7" (1466)	58.5" (1486)	60" (1524)	64" (1626)	66.5" (1689)	69.5" (1765)	70.5" (1791)	
	標準規格輪胎尺寸	5.70 x 12	27x8.5x15 HD	10.00x16.5 HD	10.00x16.5 HD	10.00x16.5 HD	10.00x16.5 HD	12.00x16.5 HD	12.00x16.5 HD	12.00x16.5 HD	14.00x17.5 HD	14.00x17.5 HD	
引擎	製造商	Yanmar	Yanmar	Yanmar	Yanmar	Yanmar	Yanmar	Yanmar	Yanmar	Yanmar	Yanmar	Cummins	
	機型	3TNV82 Interim Tier IV	3TNV88 Interim Tier IV	4TNV88C-KMS Tier IV	4TNV88C-KMS Tier IV	4TNV98C-NMS2 Tier IV	4TNV98C-NMS Tier IV	4TNV98CT-NMS Tier IV	4TNV98CT-NMS Tier IV	4TNV98CT-NMS Tier IV	4TNV98CT-NMS Tier IV	QSB 4.5 Tier III	
	總馬力 (kW) @ rpm	N/A	N/A	46.3 hp (34.5) @ 2800	46.3 hp (34.5) @ 2800	69.9 hp (52) @ 2500	69.3 hp (51.7) @ 2500	72 hp (53.7) @ 2500	72 hp (53.7) @ 2500	70.7 hp (52.7) @ 2500	70.7 hp (52.7) @ 2500	N/A	
	淨馬力 (kW) @ rpm	24 hp (17.9) @ 2400	35 hp (26) @ 2800	44.5 hp (33) @ 2800	44.5 hp (33) @ 2800	68.4 hp (51) @ 2500	68.4 hp (51) @ 2500	70.7 hp (52.7) @ 2500	70.7 hp (52.7) @ 2500	72 hp (53.7) @ 2500	72 hp (53.7) @ 2500	99 hp (74) @ 2200	
	最大扭力 (Nm) @ rpm	68 ft.-lbs. (86) @ 1200	80 ft.-lbs. (108) @ 1680	107.8 ft.-lbs. (146) @ 1820	107.8 ft.-lbs. (146) @ 1820	178 ft.-lbs. (241) @ 1625	178 ft.-lbs. (241) @ 1625	217 ft.-lbs. (294) @ 1625	217 ft.-lbs. (294) @ 1625	217 ft.-lbs. (294) @ 1625	217 ft.-lbs. (294) @ 1625	326 ft.-lbs. (442) @ 1300	
排氣量 (L)	81 cu.in. (1.3)	100 cu.in. (1.6)	133.6 cu.in. (2.19)	133.6 cu.in. (2.19)	201.4 cu.in. (3.3)	202.6 cu.in. (3.3)	202.6 cu.in. (3.3)	202.6 cu.in. (3.3)	202.6 cu.in. (3.3)	202.6 cu.in. (3.3)	272 cu.in. (4.5)		
液壓系統	標準型第三油壓流量 (L/min)	10.1 gpm (38.2)	14.5 gpm (55)	17 gpm (64.4)	17 gpm (64.4)	18.9 gpm (71.4)	18.5 gpm (70)	23.5 gpm (90)	23.5 gpm (90)	23.5 gpm (89)	23.5 gpm (89)	32 gpm (121)	
	高流量第三油壓流量-選配 (L/min)	N/A	N/A	N/A	N/A	N/A	31.5 gpm (119)	35 gpm (132.5)	35 gpm (132.5)	35 gpm (132)	35 gpm (132)	40.8 gpm (154)	
	液壓油箱容量 (L)	7.2 gal. (27.3)	8 gal. (30.3)	10 gal. (37.9)	11 gal. (41.6)	11 gal. (41.6)	8 gal. (30.3)	8 gal. (30.3)	8 gal. (30.3)	10.5 gal. (40)	10.5 gal. (40)	16.75 gal. (63)	
電力系統	電瓶 (CCA)	12-volt (650)	12-volt (675)	12-volt (950)	12-volt (950)	12-volt (950)	12-volt (950)	12-volt (950)	12-volt (950)	12-volt (950)	12-volt (950)	12-volt (950)	
	啟動馬達 (kW)	12-volt (1.7)	12-volt (2.3)	12-volt (3.0)	12-volt (3.0)	12-volt (3.0)	12-volt (3.0)	12-volt (3.0)	12-volt (3.0)	12-volt (3.0)	12-volt (3.0)	12-volt (3.0)	
	發電機	40-amp	40-amp	100-amp	100-amp	100-amp	95-amp	95-amp	95-amp	95-amp	95-amp	130-amp	
能力/重量	額定操作荷重 ^a (kg)	850 lbs. (386)	1,050 lbs. (476)	1,350 lbs. (612)	1,500 lbs. (680)	1,650 lbs. (748)	1,900 lbs. (862)	2,200 lbs. (998)	2,600 lbs. (1179)	2,700 lbs. (1225)	3,300 lbs. (1497)	4,000 lbs. (1814)	
	額定操作荷重-含選配配重 ^b (kg)	N/A	1,175 lbs. (533)	1,500 lbs. (680)	1,650 lbs. (748)	1,800 lbs. (816.5)	2,110 lbs. (957)	2,370 lbs. (1075)	2,780 lbs. (1261)	3,000 lbs. (1361)	N/A	N/A	
	柴油箱容量 (L)	7.7 gal. (29)	10.4 gal. (39.4)	16.5 gal. (62.5)	16.5 gal. (62.5)	16.5 gal. (62.5)	16.5 gal. (62.5)	18 gal. (68.1)	21.5 gal. (81.4)	24.5 gal. (92.7)	24.5 gal. (92.7)	31.25 gal. (118)	
	最大行走速度 (km/hr)	5.5 mph (8.9)	5.9 mph (9.5)	8.0 mph (12.9)	7.4 mph (11.9)	7.8 mph (12.6)	7.5 mph (12.1)	8.0 mph (12.9)	8.0 mph (12.9)	7.4 mph (12)	8.1 mph (13.0)	6.5 mph (10.5)	
	最大二速行走速度-選配 (km/hr)	N/A	N/A	N/A	N/A	N/A	12.1 mph (19.5)	12.5 mph (20.1)	11.9 mph (19.2)	11.9 mph (19.2)	11.9 mph (19.2)	12.2 mph (19.6)	11.2 mph (18)
	操作重量 ^c - Approximate (kg)	2980 lbs. (1352)	4000 lbs. (1814)	5,130 lbs. (2327)	5,930 lbs. (2690)	6,165 lbs. (2796)	6,880 lbs. (3121)	7,980 lbs. (3620)	8,200 lbs. (3719)	8,150 lbs. (3697)	9,090 lbs. (4123)	11,100 lbs. (5035)	

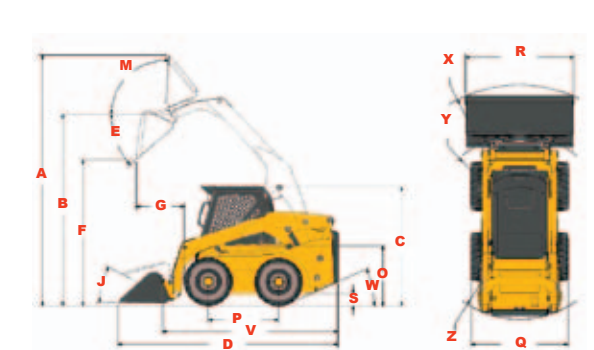
參考圖示

● 徑線向舉升

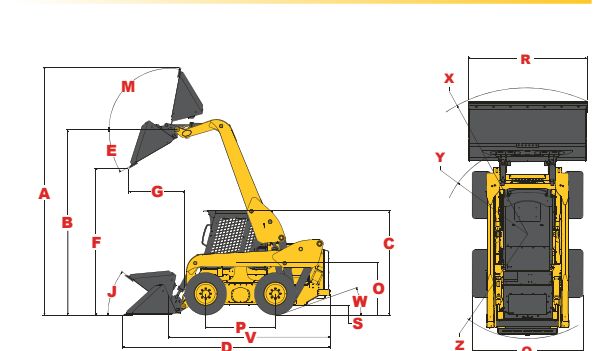


● 垂直舉升

V270 GEN:2 / V330 GEN:2



V400



- A 全寬依輪匡偏移量而定
- B 依 SAE J818, SAE J732, and ISO 14397
- C 重量含標準設備、標準輪胎、標準鏟斗及一位79KG重操作手



經銷商:

製造商:

GEHL

143 Water Street
West Bend, WI 53095
U.S.A.
Tel: 262-334-9461
Fax: 262-338-7517

台灣總代理:



康巧有限公司
COME CIAO TRADING CO., LTD
桃園縣龜山鄉振興路776巷25-21號
TEL: (03)359-1129 FAX:(03)320-7761